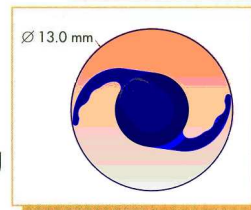
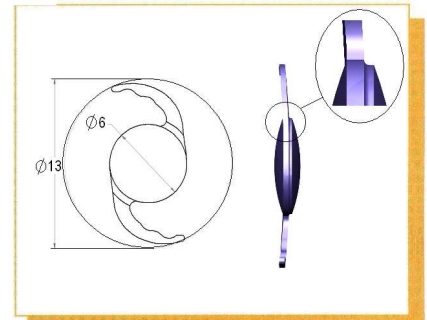


Small incision

Bag and Sulcus support

Attributes

- **Bag and Sulcus**
SeeLens design combines the classic C loop and plate-haptic in order to fit both the bag and the sulcus
- **High Biocompatibility**
Excellent biocompatibility and purity of the acrylic material Based on relevant ISO standards
- **High Refractive Index**
- **Double Square Edge**
Stepped barrier Reduces P.C.O. Helps prevent cell migration onto the posterior capsule
- **UV Blocker**
Effectively filters UV radiation
- **Y.A.G Laser Compatible**
- **Vial-Screw Cap and Holder**
For easy handling
- **Slow Gentle Release**
Easy predictable folding & unfolding
Excellent memory
- **Insertion**
Can be implanted with injector or forceps
- **Micro incision**
Easy to fold and inject through an incision down to 2.2mm



Specifications

Overall length.....	13.0 mm
Optic diameter.....	6.0 mm
Power range.....	1.0 to 40.0 (1.0 to 7.0 & 31.0 to 40.0 1D increments)
Optic design.....	Bi Convex
Finish.....	Square edge
Haptic angulation.....	5°
Material.....	Hydrophilic Acrylic
Refractive index.....	1.46 (Hydrated @ 35°C)
Y.A.G laser.....	Compatible
A constant.....	118.6
Placement.....	Capsular Bag or Sulcus

T1013 08/04



www.hanitalenses.com • email: marketing@hanitalenses.com

Hanita Lenses • Intraocular & Contact Lenses • Kibbutz Hanita 22885 Israel • Tel. 972 4 9950700 • Fax. 972 4 9950755

